

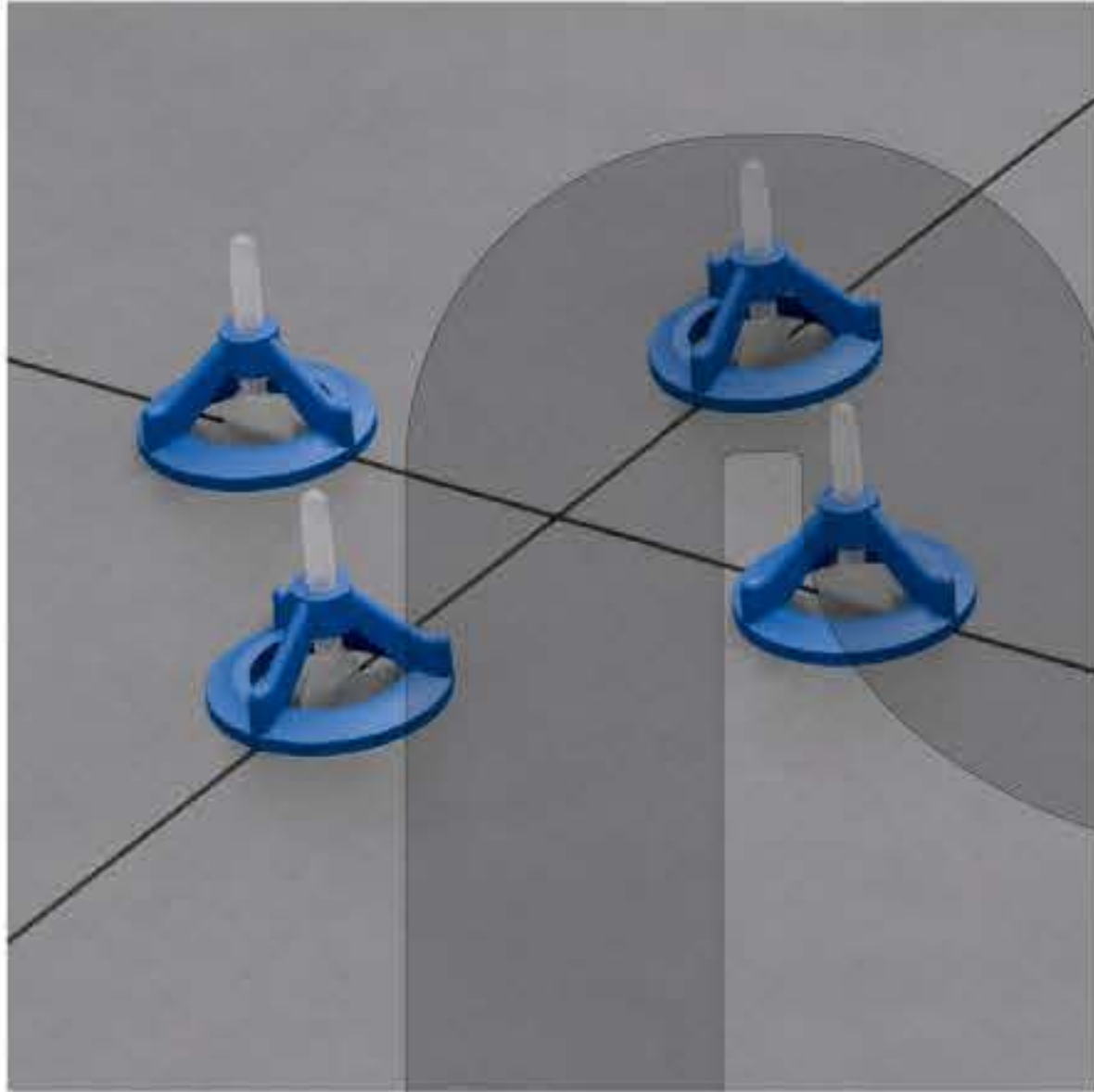
ISOPEDOTIS (SERIES B)

Leveling System

KALLOS ISOPEDOTIS

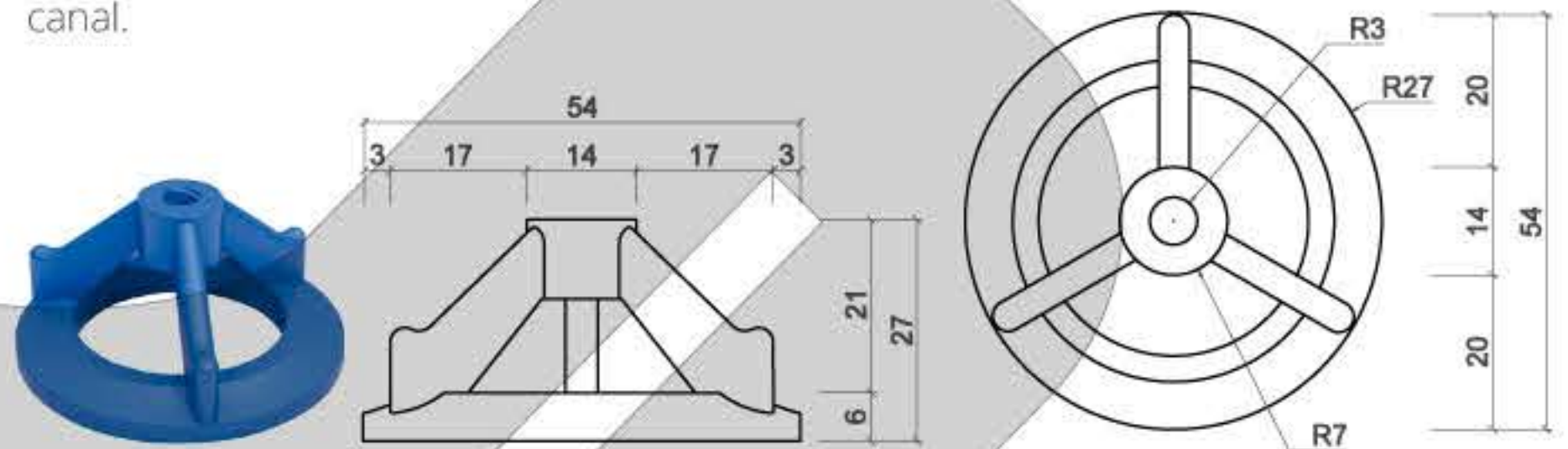
Is a tile Isopedotis leveling system with screws, used in the installation of artificial and natural tiles and ensures that the materials are paved more evenly. The system includes leveling wedge with screws tIs-Sw and holder joint tIs-Ss

tIs-S Series



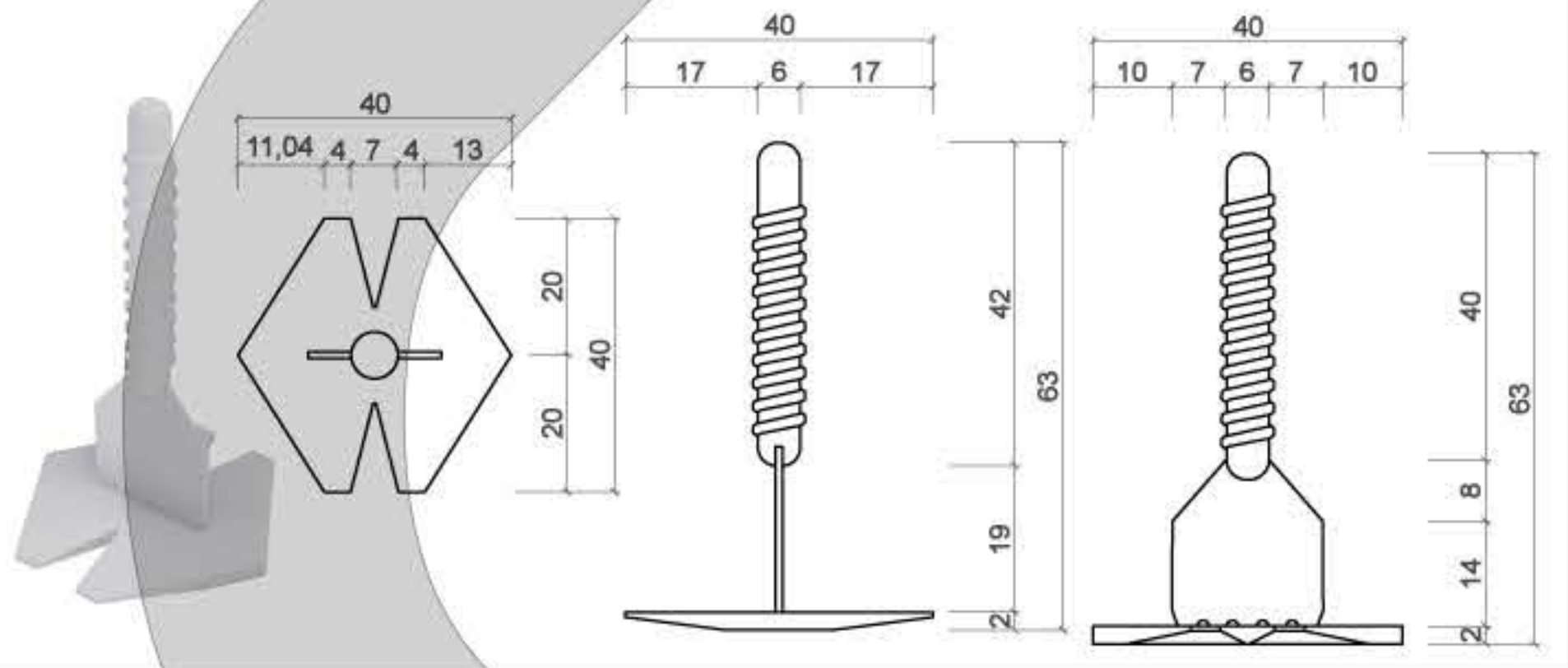
tIs-Sw

- » The design of the wedge with screws provides application via hand, not requiring any high force.
- » It can be used at the sides and corners of the coating material.
- » Through the holes on the wedge with screws, it can be checked at what level the joint canal.

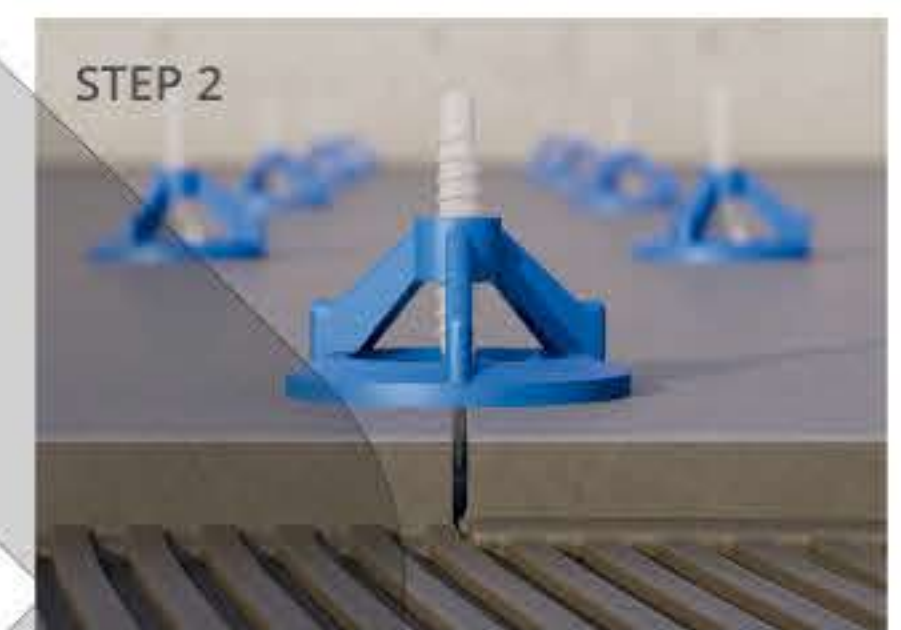


tIs-Ss

- » The holder joint has the options of 1 mm and 2 mm joint widths.
- » It can be used for coating materials with a width changing from 3 mm to 17 mm.



Mode of Use



STEP 3

If the width between the coating materials is bigger than 3 mm, tile spacer can be used depending on the width.



STEP 4



After fixing, wait until the adhesive is dry (24 hours). Then the part that remains on the surface of the coating material should be removed by hitting to the sides of the wedge with screws using a mallet with plastic end.

STEP 5



After dismantling, the wedges should be collected to be used in later installations. Collected wedges can be re-used 20 to 40 times depending on how the personnel work.

X	X cm										tile	Y cm
25	53	40	32									
30	67	50	40	44								
33	61	45	36	40	37							
45	44	33	27	30	27	20						
50	40	30	24	27	24	18	16					
60	33	25	20	22	20	15	13	11				
75	33	25	20	21	19	14	12	10	9			
90	30	22	18	19	17	12	11	9	8	7		
100	33	25	20	20	18	13	12	10	9	8	8	
120	28	21	17	17	15	11	10	8	7	6	7	
150	27	20	16	14	15	11	10	8	8	6	6	
300	37	25	19	15	13	13	9	8	7	5	5	
cm	15	20	25	30	33	45	50	60	75	90	100	Y