

VATHRO

uPVC Pedestals

KALLOS VATHRO PEDESTALS

These are raised and plastic flooring pedestals used in terraces that may or may not be walked on. They are designed to reach the desired final elevation and eliminate the difference in slope. Their purpose is to enable making the last layer of flooring without using protective alum on the insulation. These pedestals also aim to provide a continuous drainage system through the open joint gaps of the floor tiling. Adjustable plastic flooring pedestals offer a system that can be intervened under potential insulation problems. They are also quite durable with a carrying capacity of 1000 kg.

Adjustable Pedestal

HEAD

The Head part is attached to the connecting pieces or the base part. By placing joint sticks and skeleton assembly apparatus to the side and central gaps of this head part, tile or lath flooring can be performed.

T-C

After 181 mm, products are heightened by connecting pieces. More than one piece per module can be used. Electricity wiring and waterwork can be tied to the side and upper parts of these products. This allows for easy access and technical efficacy by holding the installations higher than the ground.

T-L

The tightening lock is usually used in higher elevations, and it prevents disruptions that can happen over long periods of time due to vibration.

BASE

Its wide radius eliminates the need for anchoring the base part to the ground. It has necessary gaps if anchoring is desired. The sides of the base part have clipping lines as a solution to any range problems that can be met in the edges and the corners of the ground. The lower sides of the base part are produced chamfered, which allows them not to damage the insulation.

T-SC

The base part can be placed on the slope corrector, eliminating the effects of the slopes created for drainage. Slope correctors are designed to tolerate angles of any kind and produced as 1 % and 2% alternatives. One over the other can be successively used.

T-P

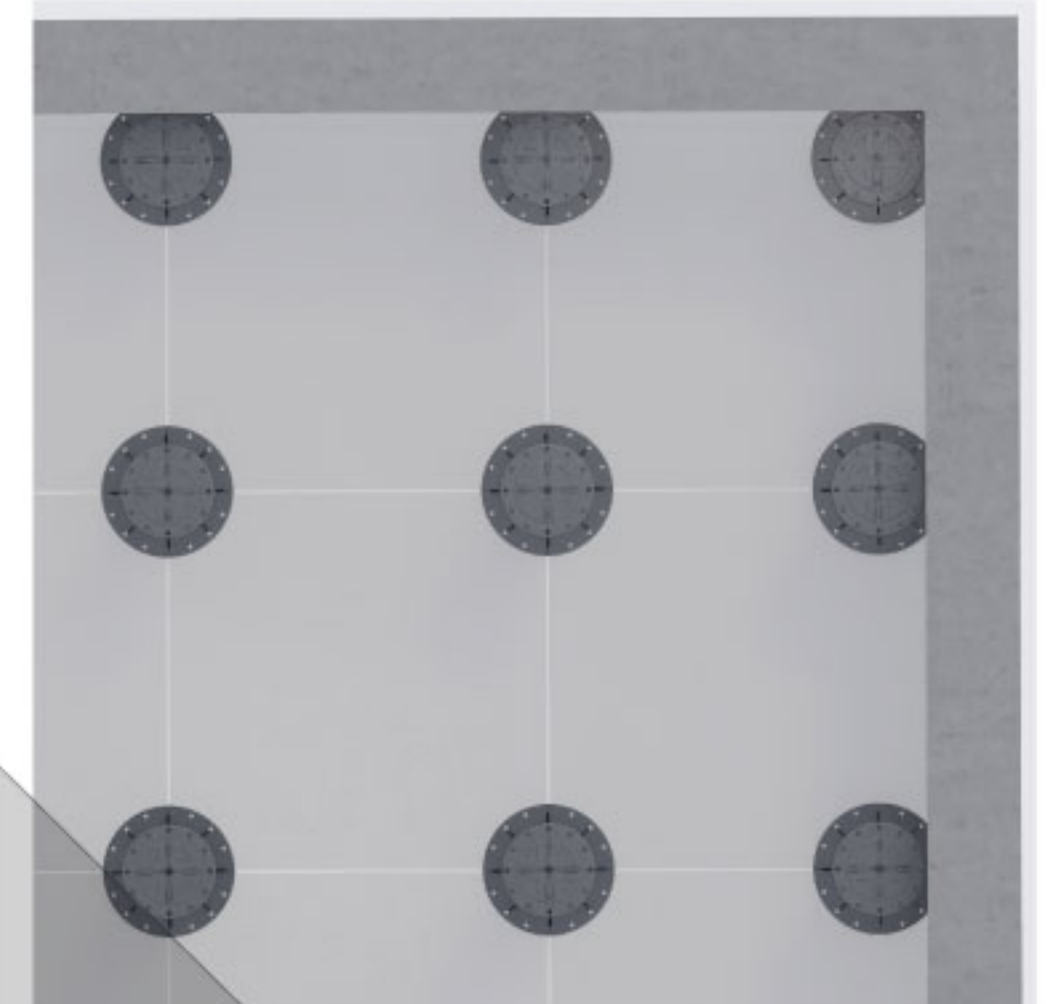
Orthopedic base pad made of TPE raw material can be used in floors with faulty polish, and it absorbs impact vibrations that can occur in the system.



Usage Amounts

Edges and corners may lead to extra consumptions. Adjustable Pedestal works with a jack system and can be used as a single part in edges and corners. So, in proportion to space width, consumption is decreased.

Flooring dimension	m ² /pcs
30x30 cm	13,8
40x40 cm	7,80
30x60 cm	6,70
40x60 cm	5,20
50x50 cm	5,00
60x60 cm	3,50



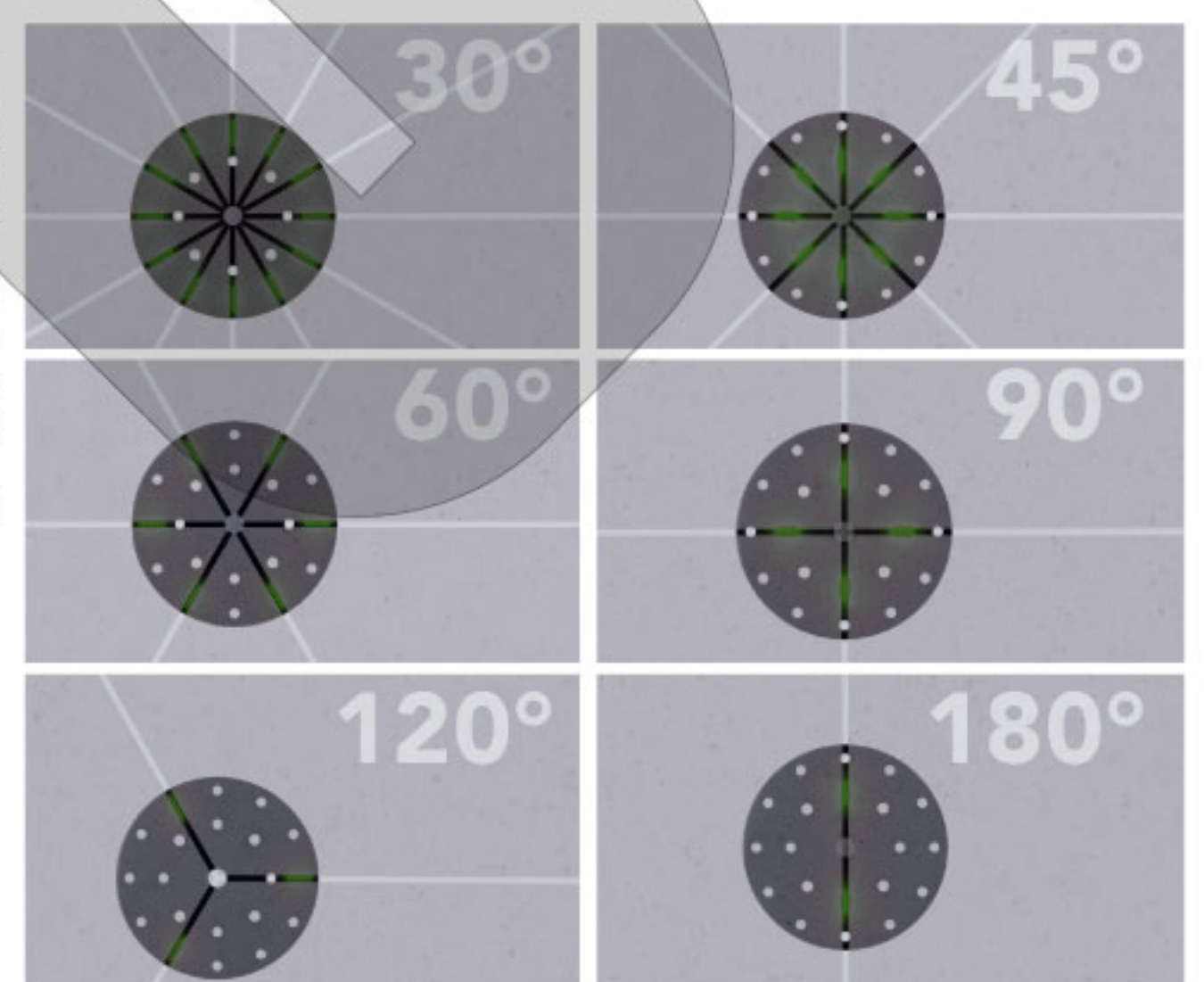
Safe Level Bottom



This button ensures that the head part or the Coupler screw-side protrusion, which are placed to the gaps in the base part or Coupler wall, do not surpass the safe elevation level in the application process while adjusting. In this way, the application process is up to the standards and the users' safety is guaranteed.

Angular Flooring

In this process, fundamentally, an adjustment gasket and joint stick with ten different types are required. Angular placement is possible, depending on the floor plan.



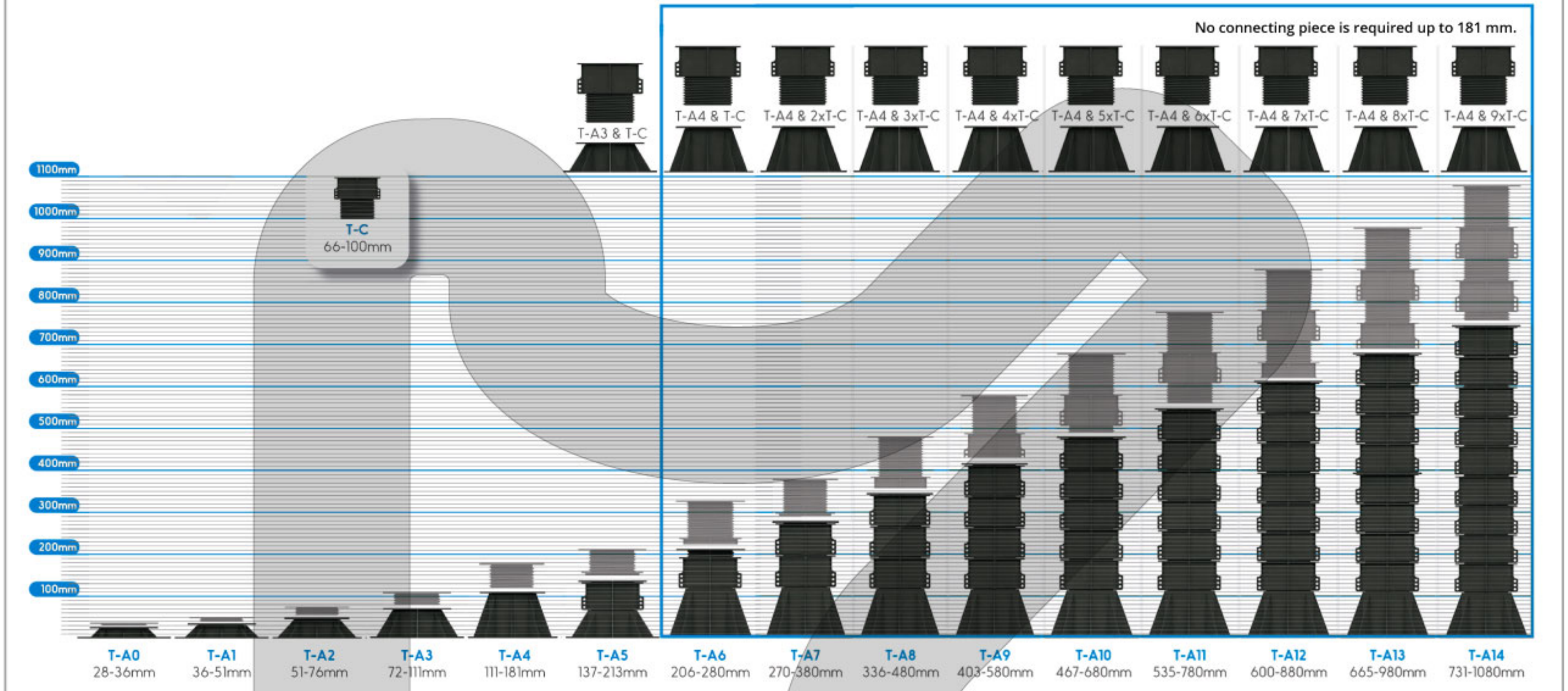
VATHRO

uPVC Pedestals Fittings

KALLOS VATHRO PEDESTALS

These are raised and plastic flooring pedestals used in terraces that may or may not be walked on. They are designed to reach the desired final elevation and eliminate the difference in slope. Their purpose is to enable making the last layer of flooring without using protective alum on the insulation. These pedestals also aim to provide a continuous drainage system through the open joint gaps of the floor tiling. Adjustable plastic flooring pedestals offer a system that can be intervened under potential insulation problems. They are also quite durable with a carrying capacity of 1000 kg.

Adjustable Ranges



Tile Flooring

T-ST

The joint stick and its 2, 4, 6 and 8 mm of width alternatives can be rotated 360 degrees around their axis. The length of these products is 16 mm and has an alternative type with a length of 38 mm and a width of 4 mm.



T-SF

This product can be fixated by placing it into square-shaped holes. It is recommended that this product is used in floorings with no set-square problems.



T-SP

The joint stick with a plus sign shape is placed on the central gap of the head part and has a width of 4 mm. This product is designed to be broken down into pieces which allows it to be used easily in tricky floorings. This product increases the speed of the process.



T-UW

Tiles may be blown away due to wind. T-UW prevents this and allows the system to work as a whole. Used with the T-AFJ accessory, it is attached to the pedestal via screws. It has a cover that conceals the screw. This cover can be removed from the piece for dismantling purposes.



T-WS

T-WS prevents light tile vibrations and enables the system to work as a whole. Used with the T-AFJ accessory, it is attached to the pedestal via screws. It allows the tiles to be removed by the Allen key. Tiles can be re-assembled in the same way.



T-S

This product is designed with 1 & 2mm alternatives and made of TPE raw material. It aims to eliminate the calibration problems usually encountered in tile flooring products. It is used between the tile and the pedestal and absorbs the impact vibration. It is recommended that this product is used in each pedestal module. T-S can be broken into four pieces.



T-AFJ

This product is used in tile floorings. It is usually preferred for specific details where pedestal connection via screws is desired. The joint pieces can be broken down into pieces for tricky floors and edges.

T-UWS

Tiles may be blown away due to wind. T-UWS prevents this and allows the system to work as a whole. Used with the T-AFJ accessory, it is attached to the pedestal via screws, and ties the pressed CP-GP product to the system to support the tile flooring. It can be screwed with an Allen key and allows the flooring material to be lifted from the pedestal together with CP-GP. Flooring material can be re-assembled in the same way.



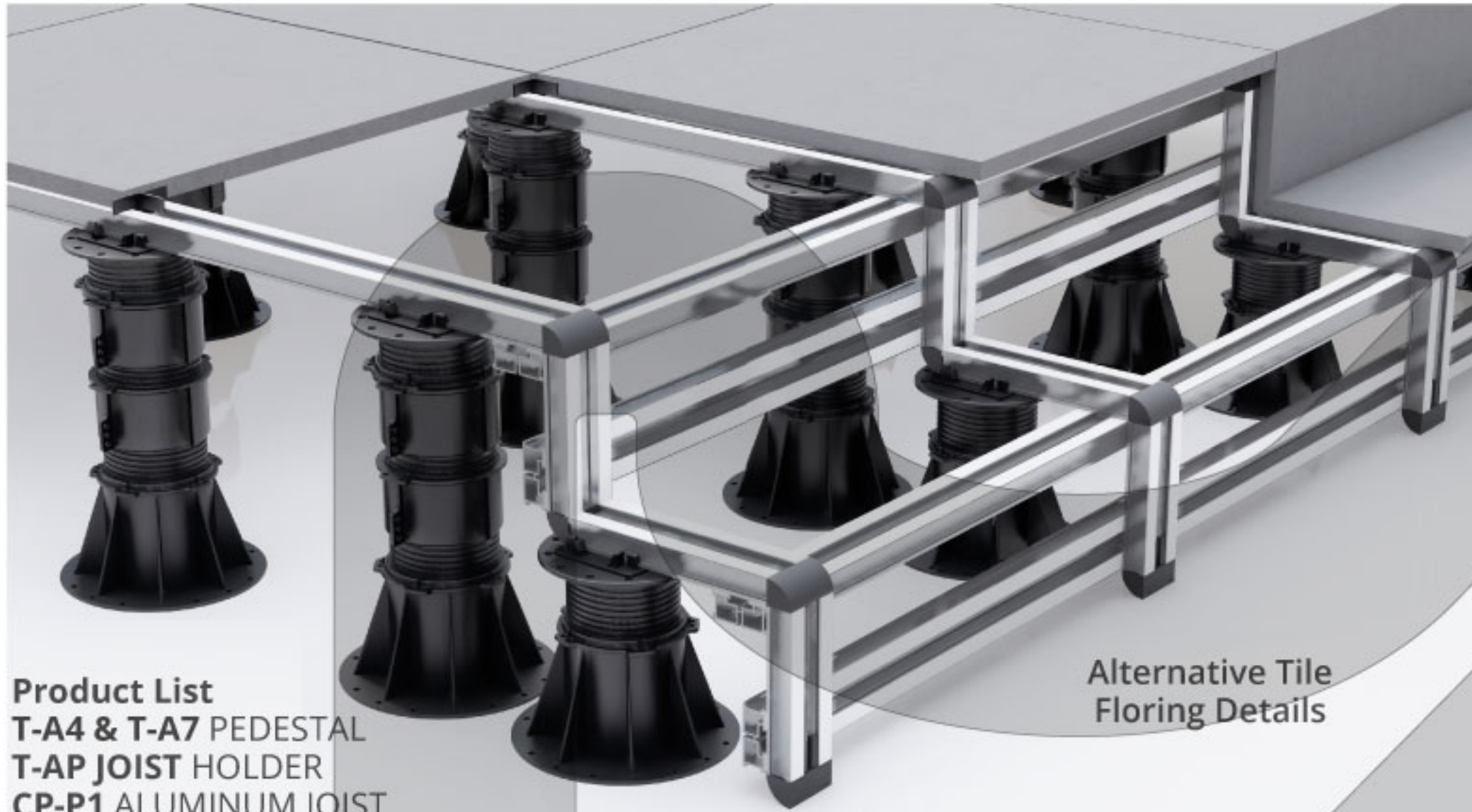
VATHRO

uPVC Pedestals Fittings

KALLOS VATHRO PEDESTALS

These are raised and plastic flooring pedestals used in terraces that may or may not be walked on. They are designed to reach the desired final elevation and eliminate the difference in slope. Their purpose is to enable making the last layer of flooring without using protective alum on the insulation. These pedestals also aim to provide a continuous drainage system through the open joint gaps of the floor tiling. Adjustable plastic flooring pedestals offer a system that can be intervened under potential insulation problems. They are also quite durable with a carrying capacity of 1000 kg.

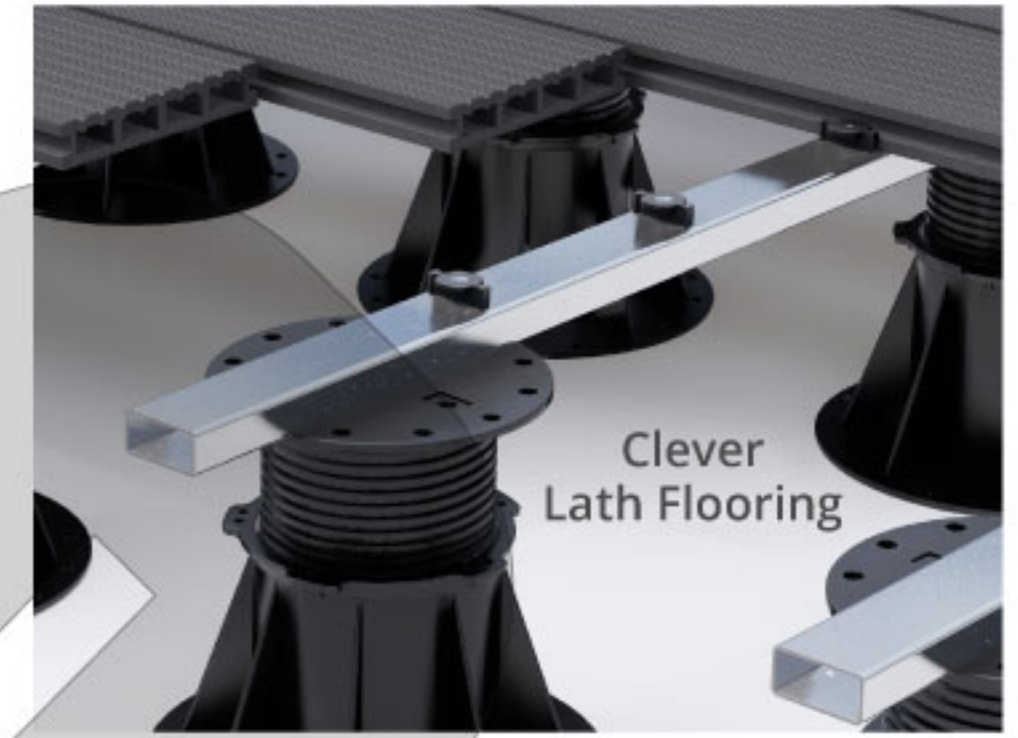
TCT-RAIL System



Alternative Tile Flooring Details

- Product List**
T-A4 & T-A7 PEDESTAL
T-AP JOIST HOLDER
CP-P1 ALUMINUM JOIST
CP-P1FC FLAT CONNECTOR
CP-P1CC CORNER CONNECTOR
CP-SR ROLL SPONGE
CP-P1SP3 PLUS JOINT
CP-PAVER 600X600X20 mm

Lath Flooring



Clever Lath Flooring

T-AP
 T-AP is used to connect the pedestal and CP-P1 and equivalent skeletons, which are used to support tile and lath floorings. Skeletons are attached to the piece by clicking.



T-AR
 This skeleton assembly apparatus can be assembled into any gap of head part except for the central one, and it can be rotated 360 degrees around its axis. Screwing is possible due to haies on the sides of the product. With this product, all skeletons from 1 cm to 10 cm can be used.



T-AW
 The circle-shaped skeleton assembly apparatus is first assembled to the skeleton via a screwdriver with distances written in the specifications. Later, it is placed in the central gap of the head part together with the skeleton. Skeletons of any size including and bigger than 1 cm can be used with this product.



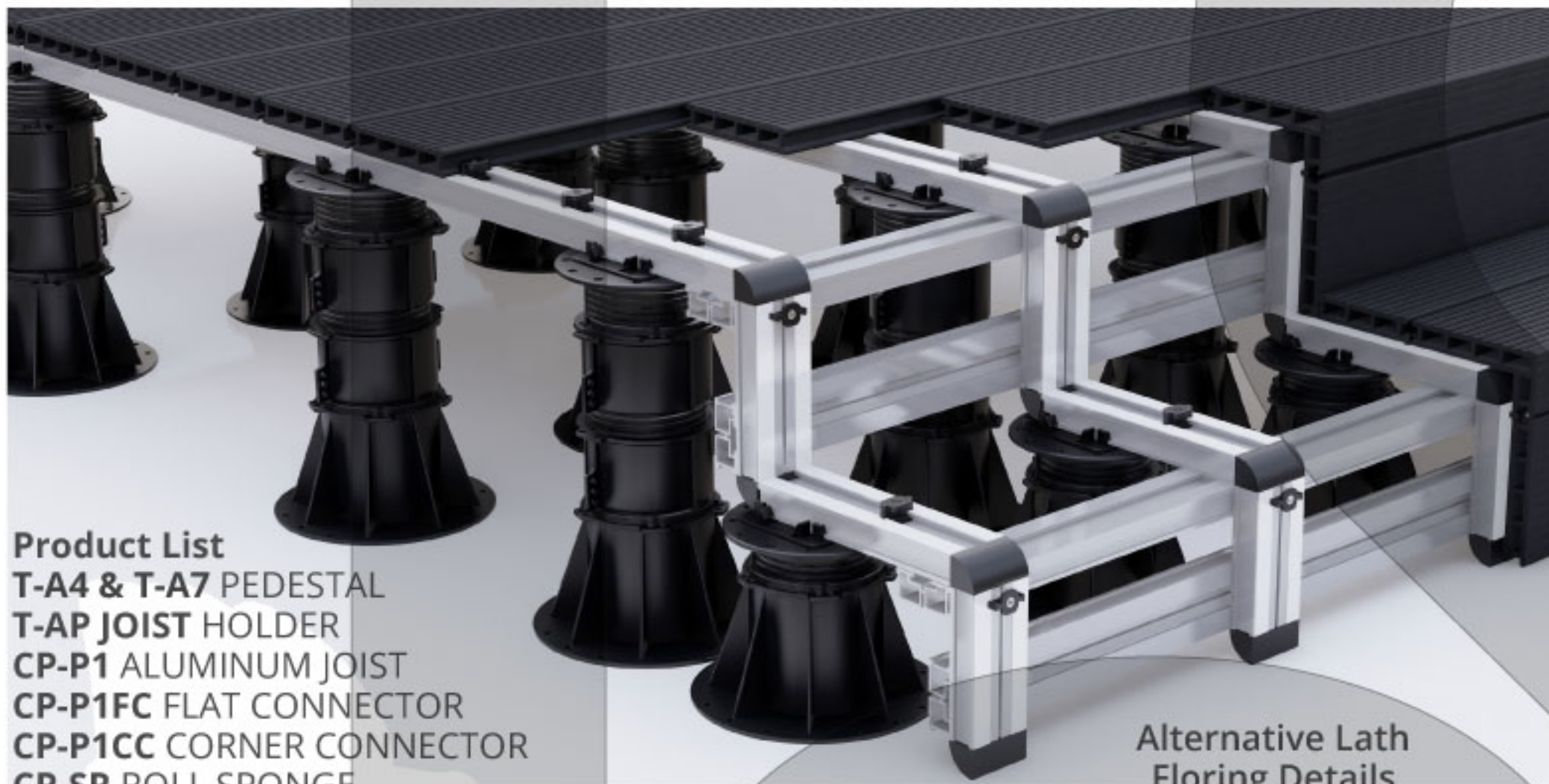
T-DCN
 It is designed to attach the natural deck to the skeleton. It has a conical shape which minimizes the weakening and breaking of deck flooring channels and prevents the connecting screws from being visible from the joint places.



T-DC
 It is designed to attach the composite and natural deck floorings to the skeleton.



TCL-RAIL System

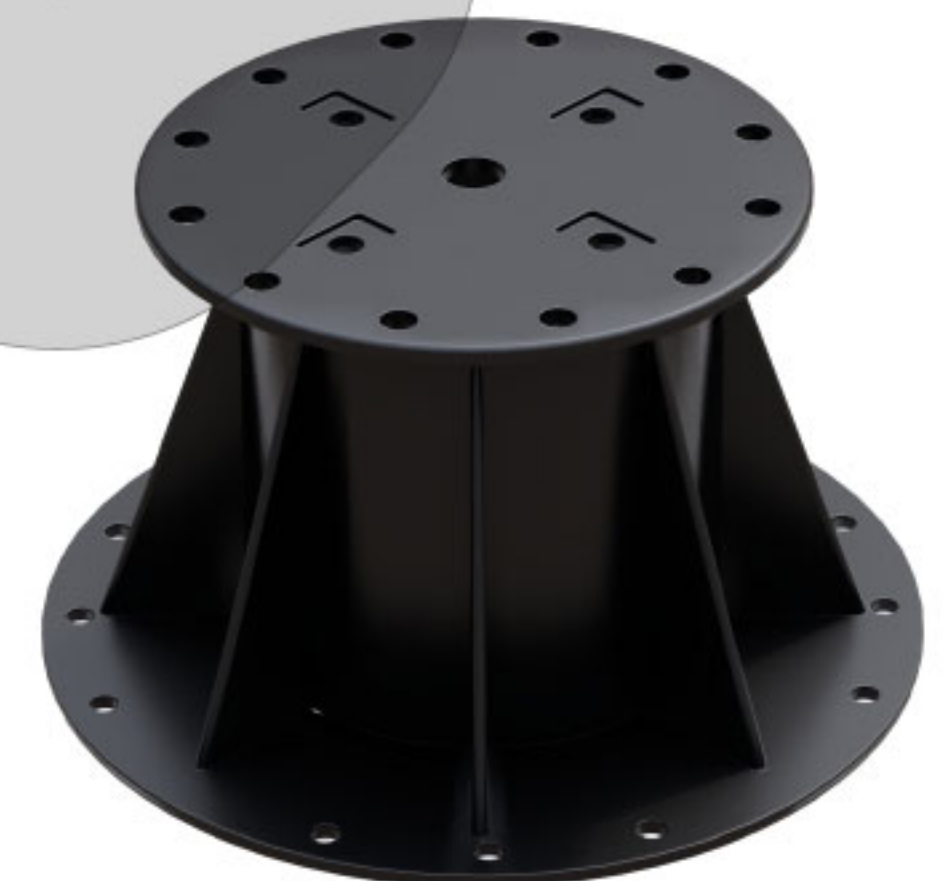
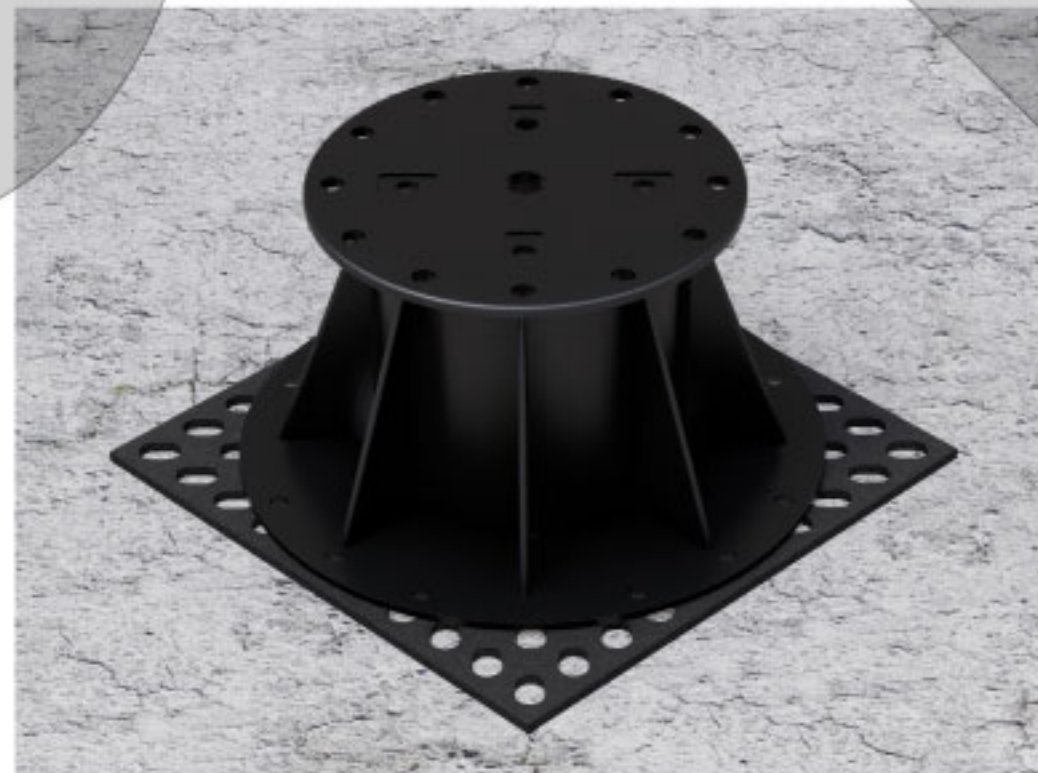


Alternative Lath Flooring Details

- Product List**
T-A4 & T-A7 PEDESTAL
T-AP JOIST HOLDER
CP-P1 ALUMINUM JOIST
CP-P1FC FLAT CONNECTOR
CP-P1CC CORNER CONNECTOR
CP-SR ROLL SPONGE
CP-P1DCAL FIXING CUP
WPC-CAL WOOD PLASTIC COMPOSITE DECK

Orthopedic Base Pad

T-P
 Orthopedic Base Pad made of rubber raw material can be used in floors with faulty polish, and it absorbs impact vibrations that can occur in the system in the long run. It has a width of 5 mm.



VATHRO

uPVC Pedestals Application Example

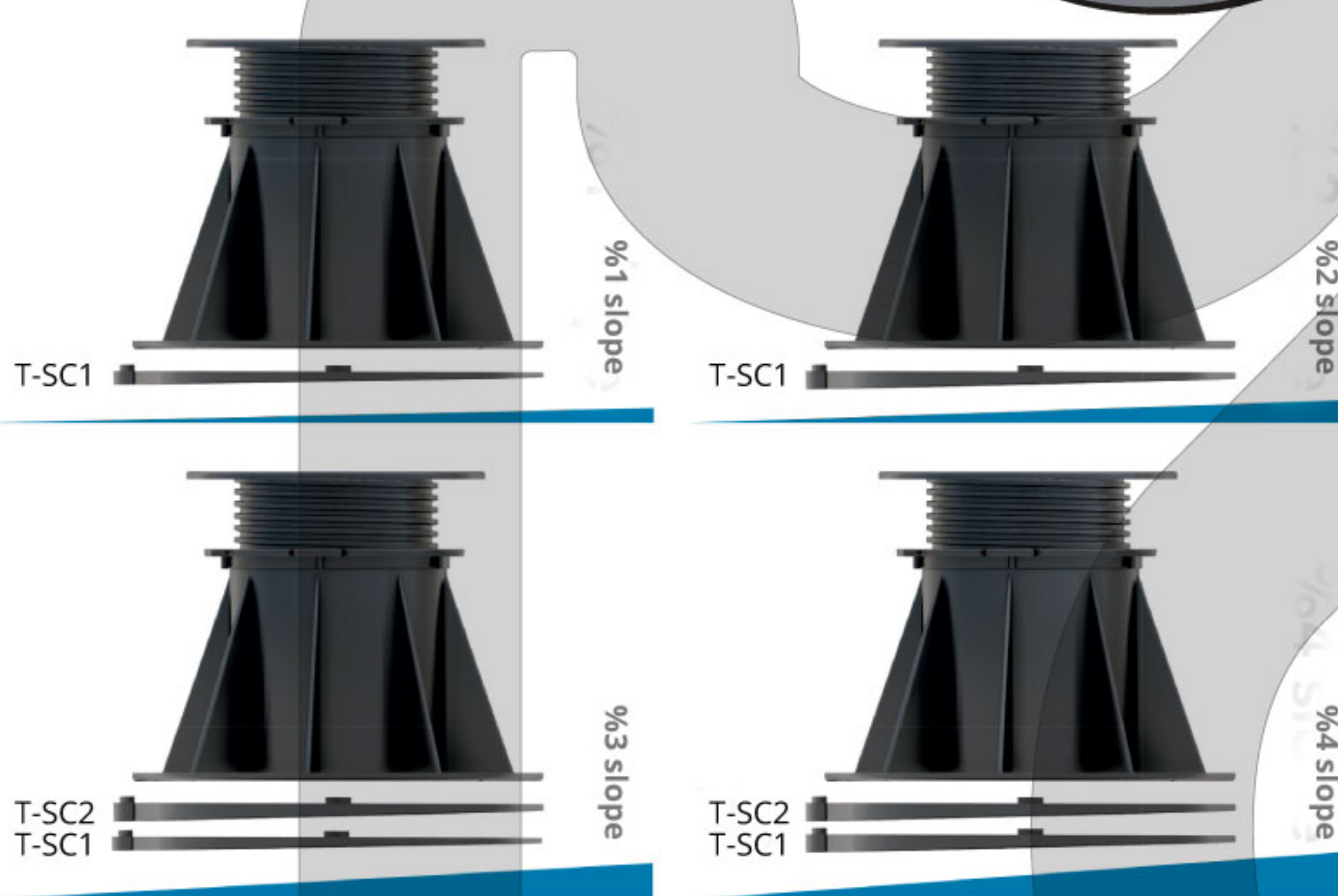
KALLOS VATHRO PEDESTALS

These are raised and plastic flooring pedestals used in terraces that may or may not be walked on. They are designed to reach the desired final elevation and eliminate the difference in slope. Their purpose is to enable making the last layer of flooring without using protective alum on the insulation. These pedestals also aim to provide a continuous drainage system through the open joint gaps of the floor tiling. Adjustable plastic flooring pedestals offer a system that can be intervened under potential insulation problems. They are also quite durable with a carrying capacity of 1000 kg.

Slope Correctors

T-SC

The base part can be placed on the slope corrector, eliminating the effects of the slopes created for drainage. The apparatus is designed to be fixated on the base part and with 1% and 2% alternatives.

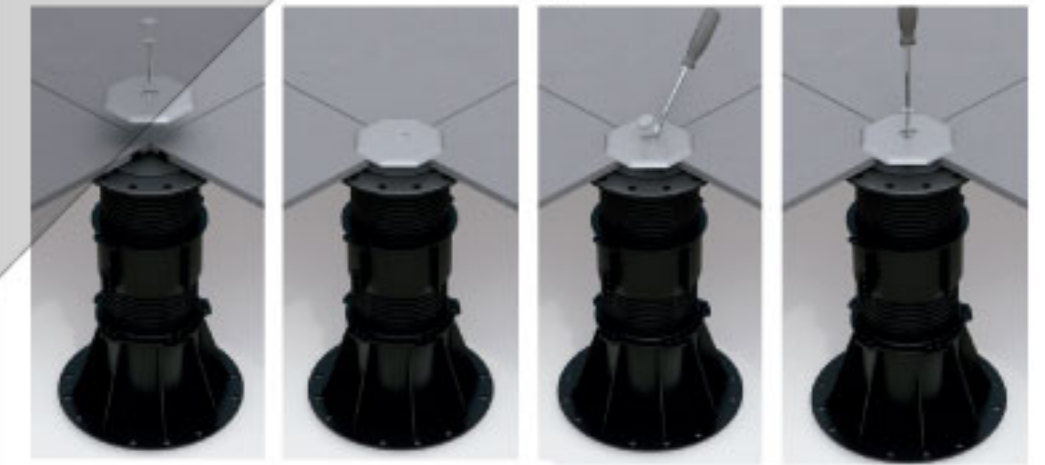


Application Example



Product List
 T-UW TILE HOLDER
 CP-PAVER 600X600X20 mm
 T-AFJ FILLING HEAD
 T-A6 PEDESTAL

For Strong Winds



Application Example



Product List
 CP-NA NATURADECK TILE
 T-WS TILE STABILIZER
 T-AFJ FILLING HEAD
 T-A6 PEDESTAL

For Tile Deck Stability



Lock

T-L

The tightening lock is usually used in higher elevations, and it prevents disruptions that can happen over long periods of time due to vibration. It provides a fast and easy application without requiring galvanizing or stainless steel. They are designed to reach the desired final elevation and eliminate the difference in slope.



Application Example

Product List
 CP-PAVER 600x600x20 mm
 CP-F1 EDGE FINISHER
 T-A4 PEDESTAL



VATHRO

uPVC Pedestals Application Example

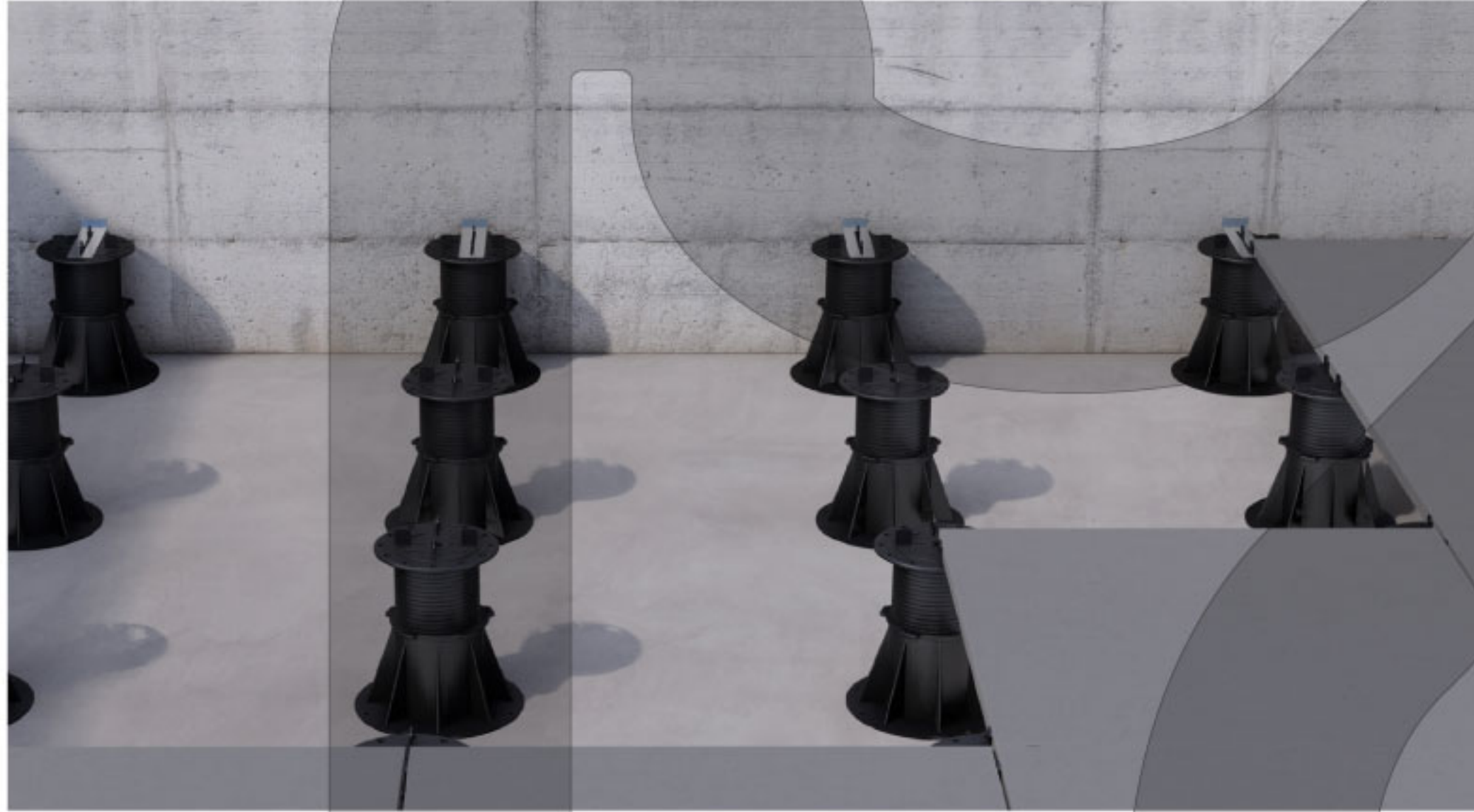
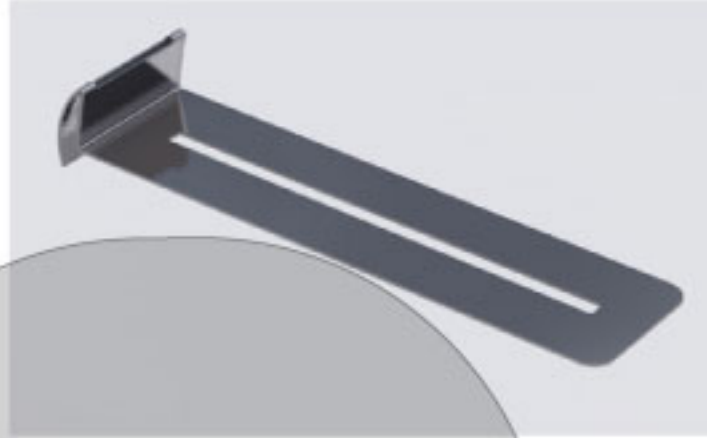
KALLOS VATHRO PEDESTALS

These are raised and plastic flooring pedestals used in terraces that may or may not be walked on. They are designed to reach the desired final elevation and eliminate the difference in slope. Their purpose is to enable making the last layer of flooring without using protective alum on the insulation.

These pedestals also aim to provide a continuous drainage system through the open joint gaps of the floor tiling. Adjustable plastic flooring pedestals offer a system that can be intervened under potential insulation problems. They are also quite durable with a carrying capacity of 1000 kg.

Application Example

CP-F1
CP-F1 is used for supporting smaller tiles in the edges. It can be moved in one direction on the pedestal and can support different sized tile pieces.



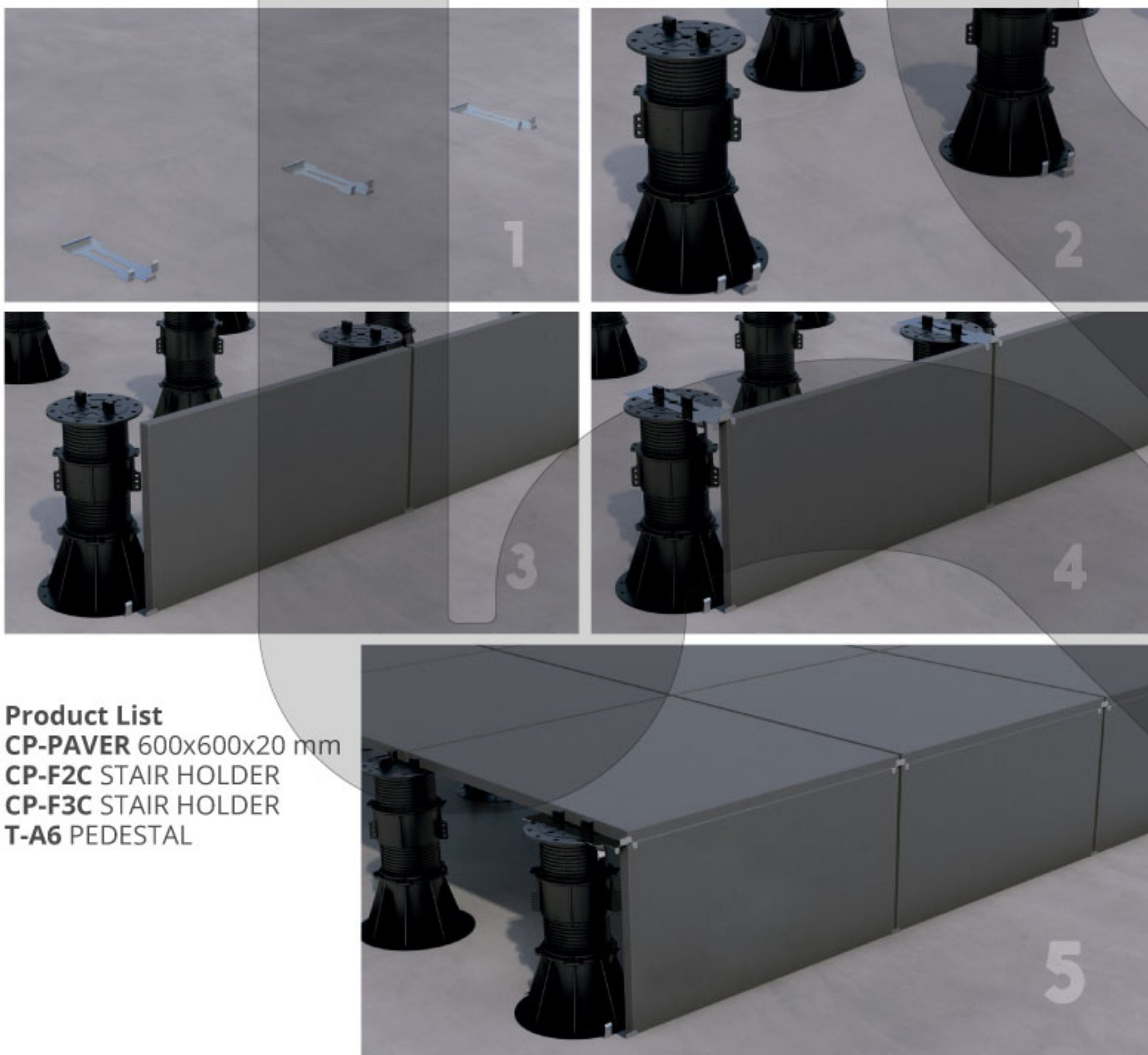
Application Example



Product List

- T-A5 PEDESTAL
- T-P JOIST HOLDER
- CP-P1 ALUMINUM JOIST
- CP-P1CC CORNER CONNECTOR
- CP-SR ROLL SPONDE
- CP-P1SP3 PLUS JOINT
- CP-PAVER 600x600x20 mm

Lock



Product List

- CP-PAVER 600x600x20 mm
- CP-F2C STAIR HOLDER
- CP-F3C STAIR HOLDER
- T-A6 PEDESTAL